

LIFE21-IPE-FI-PlastLIFE
Deliverable No D36
Plastone Oy

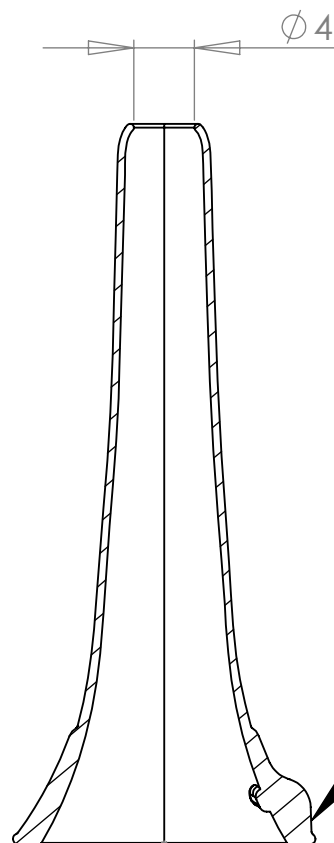
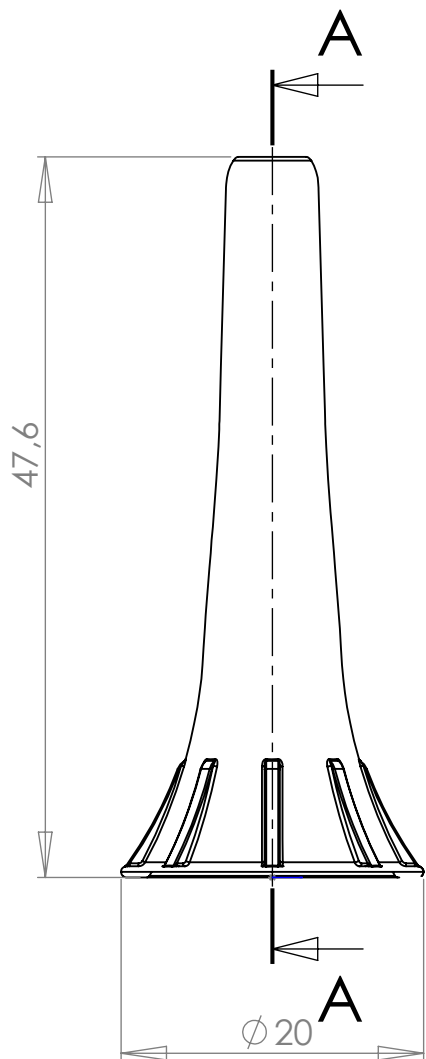
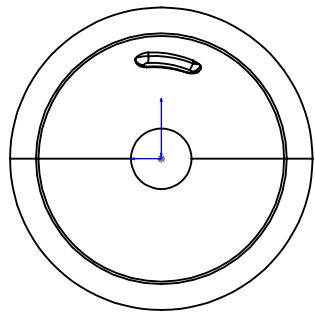
Product drawing

Due date: 31.7.2023
Deliverable submission date: 26.7.2023

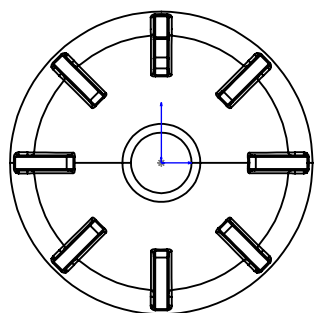


LIFE21-IPE-FI-PlastLIFE The PlastLIFE project is co-funded by the European Union. Views and opinions expressed are however those of the authors only and do not necessarily reflect those of the European Union or CINEA. Neither the European Union nor the granting authority can be held responsible for them.





SECTION A-A
SCALE 2 : 1



Surface quality technical

<p>Material: HDPE / PBT Valox</p>	
<p>Tolerance: SFS3918-140</p>	<p>1927-A01 Korvasuppilo-vet</p>